

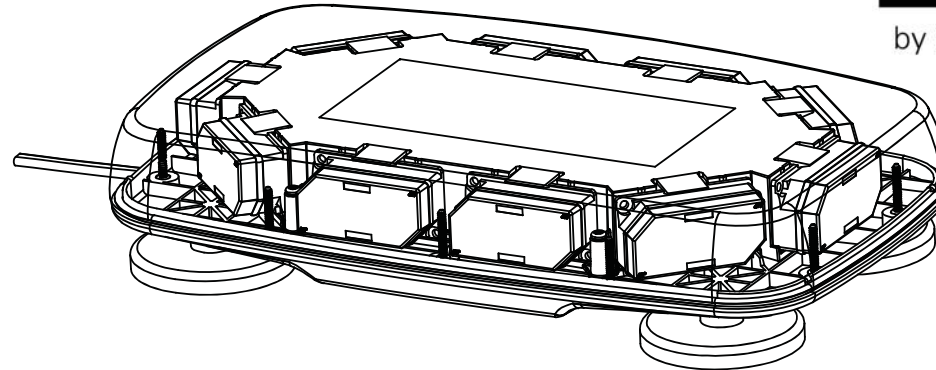


3900 Central Parkway  
 Hudsonville, MI 49426  
 toll free 800.338.7337  
 office 616.896.7100  
 techsupport@soundoffsignal.com  
 www.soundoffsignal.com

# LED3 MINI LIGHTBAR MAGNETIC MOUNT INSTALLATION INSTRUCTIONS EL3MBM+(x)C



by SoundOff Signal



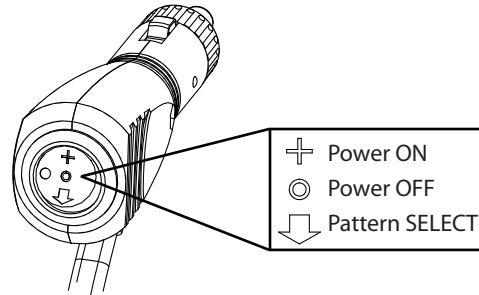
**WARNING:** Warning devices are strictly regulated and governed by Federal, State and Municipal ordinances. These devices shall be used ONLY on approved vehicles. It is the sole responsibility of the user of these devices to ensure compliance.

### Installation:

1) Determine a clean, flat location (typically roof) on the vehicle to mount the LED3 Mini Lightbar. The LED3 Mini Lightbar comes equipped with four (4) magnetic feet. It is the responsibility of the installer and end user to determine whether it is safe to use magnetic mounting hardware for your application. NOTE: The magnetic character of roof steel varies from vehicle to vehicle. Be sure that your vehicle is capable of providing enough magnetic force to safely secure the LED3 Mini Lightbar to the roof.

2) A Protective Film has been provided with the LED3 Mini Lightbar kit that can be applied to the bottom of each magnet. This film will protect the paint of the vehicle. Apply one donut shaped decal to the bottom of each magnetic foot. Be to sure to cover the magnet entirely for maximum protection to paint finish. Note: Protective film can reduce the magnetic force by 10%.

Do not install this product or route any any wires in the air bag deployment zone. Refer to your vehicle Owner's Manual for the location of any air bag deployment zones.



### Electrical Connections & Flash Pattern Selection:

See diagram above for Power ON (+), Power OFF (⊙) and Pattern SELECT (⇩) switch positions. Turn the light on by pressing the Power ON button. To change the flash pattern press and hold the PATTERN SELECT button for one (1) second. The LED3 Mini Lightbar will advance one (1) flash pattern and flash the new pattern immediately. The LED3 Mini Lightbar features non-volatile memory and will recall last pattern used. Selected pattern will remain the default once turned off and can be changed by changing the flash pattern before powering off.

**WARNING**  
 This product contains high intensity LED devices. To prevent eye damage, DO NOT stare into light beam at close range.

### LED3 MINI LIGHTBAR FLASH PATTERNS

ALTERNATING PATTERNS	Rate (Flashes Per Minute)
1. Warp	353 FPM
2. Quad	81 FPM
3. Quad2	67 FPM
4. Quint	71 FPM
5. Double2	95 FPM
6. Warp1,2,3	Variable
7. Progressive	Variable
8. Q-Switch	Variable
9. Intercycle	Variable
SOLID PATTERNS	Rate
10. Warp	176 FPM
11. Quad	41 FPM
12. Quad2	34 FPM
13. Quint	35 FPM
14. Double2	48 FPM
15. Warp 1,2,3	Variable
16. Progressive	Variable
ROTATING PATTERNS	Rate
17. 1x1 Rotator	545 FPM
18. 2x2 Rotator	545 FPM
19. 9-1 Rotator	600 FPM
RANDOM PATTERNS	Rate
20. Quint flash (corners and ends)	71 FPM
21. Quad (in and out)	81 FPM
22. Rotating Alternating	375 FPM
23. Cycle 1	Variable
24. Cycle 2	Variable