



3900 Central Parkway  
Hudsonville, MI 49426  
toll free 800.338.7337  
office 616.896.7100

techsupport@soundoffsignal.com  
www.soundoffsignal.com

## 380 SERIES SIREN ETSA380MF

**WARNING:** Warning devices are strictly regulated and governed by Federal, State and Municipal ordinances. These devices shall be used ONLY on approved vehicles. It is the sole responsibility of the user of these devices to ensure compliance.

### **WARNING**

Sirens produce loud sounds that may damage hearing:

- Roll up windows.
- Wear hearing protection.
- Use only for emergency response.
- Avoid exposure to siren sound outside of vehicle.



**IMPORTANT NOTICE TO INSTALLER:** Make sure to read and understand all instructions and warnings before proceeding with the installation of this product. Ensure the manual and all warning cards are delivered to the end user of this equipment.

### Introduction

The ETSA380MF is Multi-Function Siren Amplifier designed for 100 Watt speaker use. The siren comes standard with a noise-cancelling microphone for PA use. The amplifier box contains a single amplifier capable of supplying sound to a single 100 Watt speaker. The ETSA380MF also includes a 3 position slide switch and 8 independently controlled accessory switches each capable of supplying 10-20 amps.

The primary operating modes are User Selectable tone, Yelp, Wail, Radio, PA, Horn Override, and a push-button Manual Override are available in all modes. All tones except Wail and Yelp for California Title 13 compliance may be disabled by programming the siren.

Sirens provide an essential function of an effective audio / visual warning system. However, sirens are only short range secondary devices. The use of a siren does not insure that all drivers can or will abide by or react to an emergency warning signal, especially at high rates of speeds or long distances. The operator of the vehicle must never take the right of way for granted and it is the operator's responsibility to proceed safely.

The effectiveness of this siren system is highly dependant on the correct mounting and wiring. The installer must read and follow the manufacturer's installation instructions and warnings in the manual. The vehicle operator should verify the siren system is securely fastened to the vehicle and properly functioning.

Effective sirens generate loud sound pressure levels that can potentially cause hearing damage. Installers and those around the vehicle need to be aware of the dangers and wear hearing protection whenever the siren system is operating. Vehicle operators and occupants should assess their exposure to siren noise and determine what steps need to be taken to prevent hearing damage.

The siren system is intended for use by authorized personnel only. It is the user's responsibility to ensure they understand and operate the emergency warning devices in compliance with all applicable city, state, and federal laws and regulations. SoundOff Signal assumes no liability for any loss resulting from the use of the siren system.



ETSA380MF SHOWN

### Package Contents:

- 1 ea. Amplifier Box with Microphone
- 1 ea. Microphone Bracket w/ Mounting Hardware
- 4 ea. Amplifier Wire Harnesses with Connectors (2-12 Pin and 1-5 Pin)
- 1 ea. Instruction Manual
- 1 ea. Operators Warning Card to remain in vehicle for operator review
- 1 ea. Sound Pressure Warning Label that is to be attached in vehicle and in plain site of operator and occupants of the vehicle
- 1 ea. Mounting Bracket with Hardware
- 1 ea. Label Card for Aux. Switches

### Wire capacity requirements for siren amplifier (incoming power)

0-10 Feet:	14 AWG
10-20 Feet:	12 AWG
20-30 Feet:	10 AWG
30+ Feet:	Consult Factory to determine requirements

3900 Central Parkway  
Hudsonville, MI 49426  
toll free 800.338.7337  
office 616.896.7100  
techsupport@soundoffsignal.com  
www.soundoffsignal.com

## 380 SERIES SIREN ETSA380MF

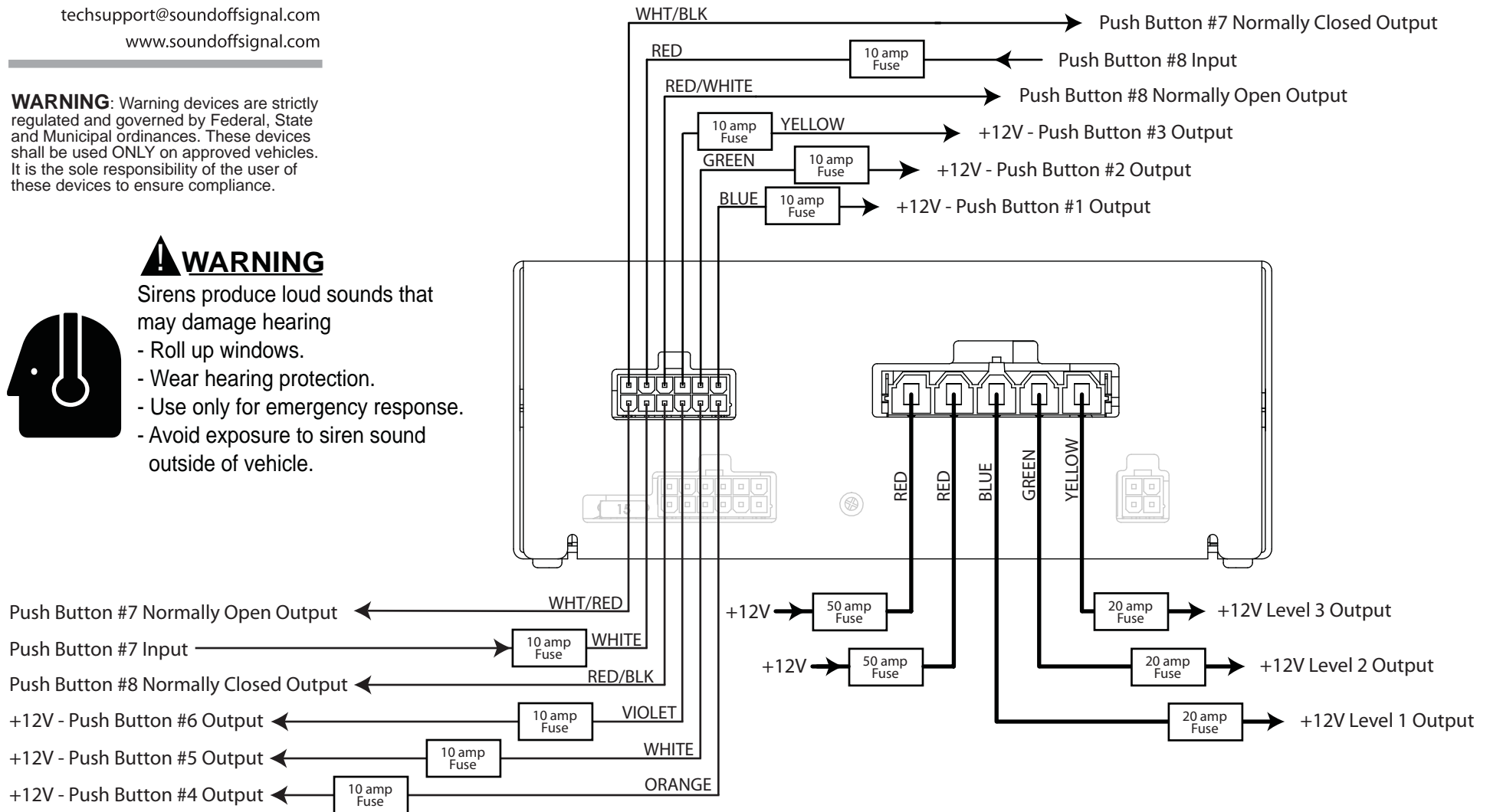
### ELECTRICAL CONNECTIONS/INSTALLATION

**WARNING:** Warning devices are strictly regulated and governed by Federal, State and Municipal ordinances. These devices shall be used ONLY on approved vehicles. It is the sole responsibility of the user of these devices to ensure compliance.

### **! WARNING**



- Sirens produce loud sounds that may damage hearing
- Roll up windows.
  - Wear hearing protection.
  - Use only for emergency response.
  - Avoid exposure to siren sound outside of vehicle.



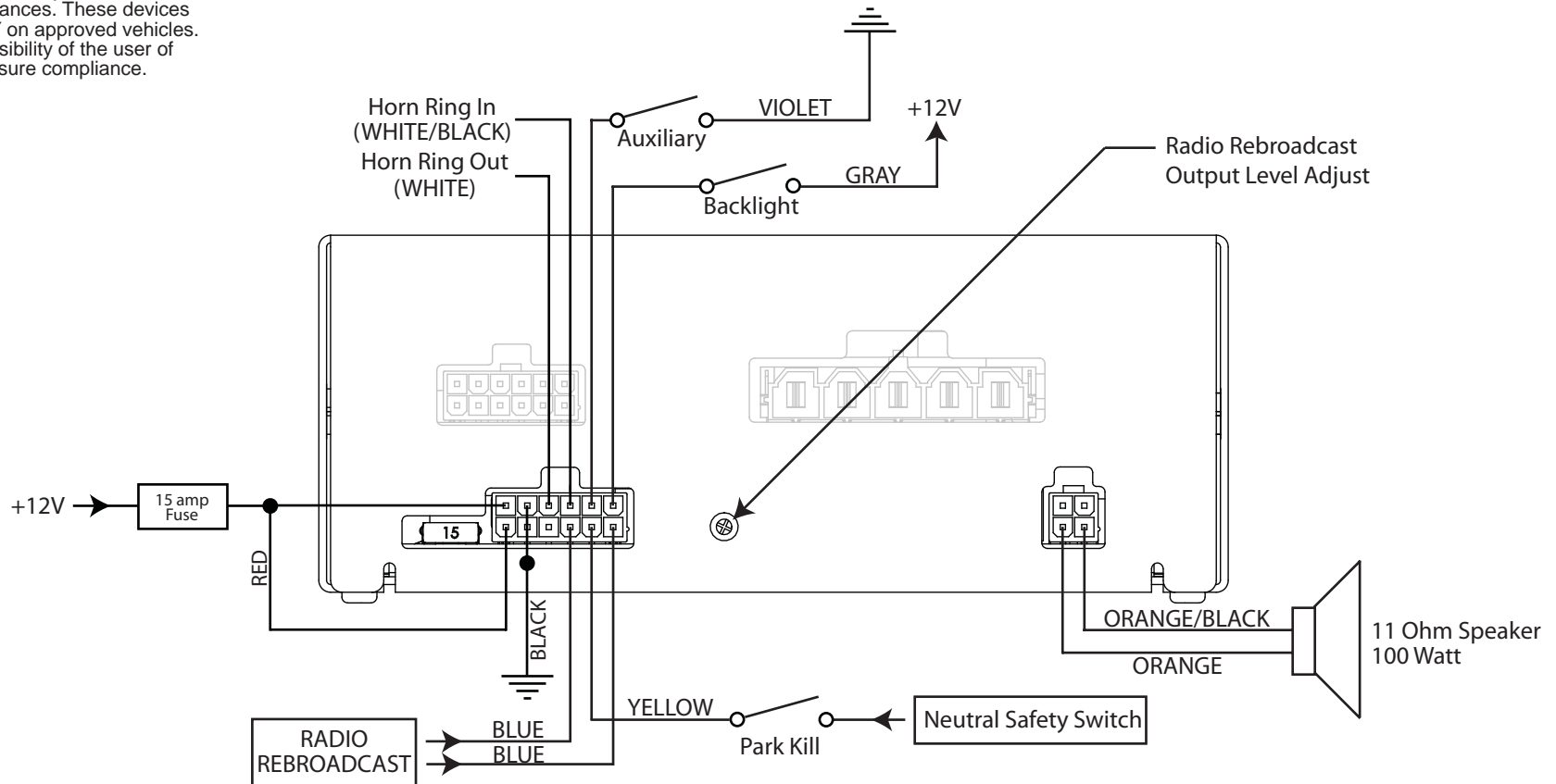
Note: All fuses shown are user supplied & must be installed to ensure safe operation.

3900 Central Parkway  
Hudsonville, MI 49426  
toll free 800.338.7337  
office 616.896.7100

techsupport@soundoffsignal.com  
www.soundoffsignal.com

### ELECTRICAL CONNECTIONS/INSTALLATION

**WARNING:** Warning devices are strictly regulated and governed by Federal, State and Municipal ordinances. These devices shall be used ONLY on approved vehicles. It is the sole responsibility of the user of these devices to ensure compliance.

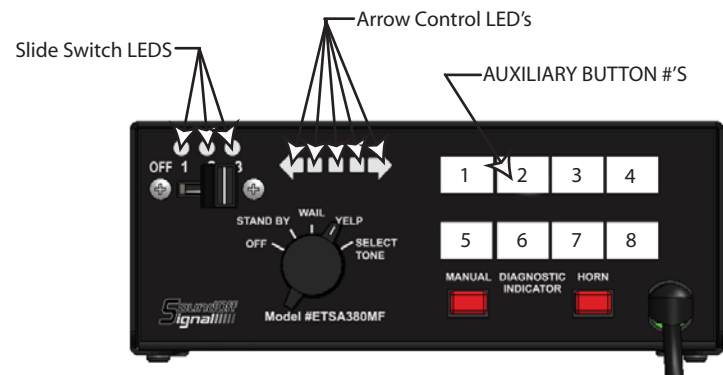


Note: All fuses shown are user supplied & must be installed to ensure safe operation.



3900 Central Parkway  
Hudsonville, MI 49426  
toll free 800.338.7337  
office 616.896.7100  
techsupport@soundoffsignal.com  
www.soundoffsignal.com

# 380 SERIES SIREN ETSA380MF



## Programming Modes

### Auxiliary Switch Settings:

Refer to Figure at right for Button and LED locations and terminology

- Press and Hold Auxiliary Button #1 and #8 until slide switch #1 LED flashes.
- Press the button which setting is going to be viewed/changed 1 time.
- Monitor the 5 LED's for the arrow controller to determine setting
  - ⊙⊙⊙⊙⊙ - Arrow Controller (Left, Right, Center, OFF)
  - ⊙⊙⊙⊙⊙ - Alternate Action Switch (Press ON / Press OFF)
  - ⊙⊙⊙⊙⊙ - Momentary Action Switch (ON only when depressed)
  - ⊙⊙⊙⊙⊙ - 8 Second ON Time (ON for 8 seconds when depressed)
  - ⊙⊙⊙⊙⊙ - Radio Re-Broadcast (Only valid for buttons 6, 7, 8)
- Continue steps 2-3 for any other buttons that need to be programmed.
- When Finished, momentarily depress PTT button on the microphone to exit programming mode.

Note: The arrow controller function uses Relay #6 and therefore when a button is selected for the arrow controller function, button #6 may not be used for switching functions. In addition, button #6 can't be used for the arrow control function since the arrow controller requires the use of 2 relays.

### Slide Switch Settings:

- Press and Hold Auxiliary Button #1 and #4 until slide switch #2 LED flashes.
- Press Auxiliary switch 1, 2, or 3 depending on which configuration for the slide switch is required.
- Auxiliary Switch #1 Illuminated (Mode #1)
  - ⊙⊙⊙ - Slide Switch Position 1
  - ⊙⊙⊙ - Slide Switch Position 2
  - ⊙⊙⊙ - Slide Switch Position 3
- Auxiliary Switch #2 Illuminated (Mode #2)
  - ⊙⊙⊙ - Slide Switch Position 1
  - ⊙⊙⊙ - Slide Switch Position 2
  - ⊙⊙⊙ - Slide Switch Position 3

- Auxiliary Switch #3 Illuminated (Mode #3)
  - ⊙⊙⊙ - Slide Switch Position 1
  - ⊙⊙⊙ - Slide Switch Position 2
  - ⊙⊙⊙ - Slide Switch Position 3

- When finished, momentarily depress PTT button on microphone to exit programming mode.

### Input Settings:

- Press and Hold Auxiliary Button #1 and #3 until slide switch #3 LED flashes.
  - Park Kill Polarity Mode
 

<input checked="" type="checkbox"/>	<input type="checkbox"/>	<input type="checkbox"/>	<input type="checkbox"/>	= Activate when input connected to Ground
<input type="checkbox"/>	<input type="checkbox"/>	<input type="checkbox"/>	<input type="checkbox"/>	= Activate when input connected to +12V
  - Horn Ring Polarity Mode
 

<input type="checkbox"/>	<input checked="" type="checkbox"/>	<input type="checkbox"/>	<input type="checkbox"/>	= Activate when input connected to Ground
<input type="checkbox"/>	<input type="checkbox"/>	<input type="checkbox"/>	<input type="checkbox"/>	= Activate when input connected to +12V
  - CA Title 13 Compliance Mode
 

<input type="checkbox"/>	<input type="checkbox"/>	<input checked="" type="checkbox"/>	<input type="checkbox"/>	= DISABLED
<input type="checkbox"/>	<input type="checkbox"/>	<input type="checkbox"/>	<input type="checkbox"/>	= ENABLED
  - Level 3 Tone Activation
 

<input type="checkbox"/>	<input type="checkbox"/>	<input type="checkbox"/>	<input checked="" type="checkbox"/>	= Siren Tone is always enabled
<input type="checkbox"/>	<input type="checkbox"/>	<input type="checkbox"/>	<input type="checkbox"/>	= Siren Tone is enabled whenever lever is in position #3.
- When finished, momentarily depress PTT button on microphone to exit programming mode.

### Other Modes:

- Press and Hold Auxiliary Button #1 and #5 until slide switch #1 and #3 LED flashes.

#### a. Horn Ring Activation

<input checked="" type="checkbox"/>	<input type="checkbox"/>	<input type="checkbox"/>	<input type="checkbox"/>	= Enabled whenever siren is not in "OFF" position.
<input type="checkbox"/>	<input type="checkbox"/>	<input type="checkbox"/>	<input type="checkbox"/>	= Enabled only when slide switch is in position 3.

#### b. TBD

<input type="checkbox"/>	<input checked="" type="checkbox"/>	<input type="checkbox"/>	<input type="checkbox"/>	= TBD
<input type="checkbox"/>	<input type="checkbox"/>	<input type="checkbox"/>	<input type="checkbox"/>	= TBD

#### c. TBD

<input type="checkbox"/>	<input type="checkbox"/>	<input checked="" type="checkbox"/>	<input type="checkbox"/>	= TBD
<input type="checkbox"/>	<input type="checkbox"/>	<input type="checkbox"/>	<input type="checkbox"/>	= TBD

#### d. TBD

<input type="checkbox"/>	<input type="checkbox"/>	<input type="checkbox"/>	<input checked="" type="checkbox"/>	= TBD
<input type="checkbox"/>	<input type="checkbox"/>	<input type="checkbox"/>	<input type="checkbox"/>	= TBD

- When finished, momentarily depress PTT button on microphone to exit programming mode.

### Setting PA Volume:

- Press and Hold Auxiliary Button #1 and #2 until slide switch #2 and #3 LED flashes.
  - Depress and hold PA switch on microphone and press Pushbutton 1-8 depending on volume required. When correct volume is determined, release PA switch on microphone and the volume setting will be permanently stored.

Low	2	3	4
5	6	7	High



3900 Central Parkway  
Hudsonville, MI 49426  
toll free 800.338.7337  
office 616.896.7100  
techsupport@soundoffsignal.com  
www.soundoffsignal.com

#### Microphone Bracket Installation:



A metal clip is provided for mounting the microphone. Choose a location convenient to the operator and away from any air bag deployment areas. Using the mounting clip as a template, mark the two holes to be drilled. Using a 1/8" drill bit, drill the two mounting holes. Install the two #6 screws provided with the bracket.

## 380 SERIES SIREN

### ETSA380MF

#### DIAGNOSTIC INDICATORS

Condition	LED Indication
Normal Operation	ON whenever siren is active (tone, radio, or PA mode)
Shorted Output	Flashing Indicator (500mS ON, 500mS OFF) whenever siren is active
Over Voltage	3 fast flashes (200mS ON, 200mS OFF) followed by 2 second delay
Under Voltage	2 fast flashes (200mS ON, 200mS OFF) followed by 2 second delay
No Output	Indicator is OFF whenever siren is active (tone, radio, or PA mode)

#### SPECIFICATIONS

Input Voltage	10 - 16 VDC (negative ground)
Input Current	8 Amps @ 13.6 VDC (100W speaker)
Standby Current	Less than 150 mA
Audio Frequency	200Hz - 10 kHz + 3db
Output Power	100 WATTS RMS MAX. (11 Ohm Speaker Impedance)v
Siren Frequency	675Hz - 1633Hz
High Voltage Protection	15.5 VDC will cause siren output to cease, resume at normal.
Low Voltage Shutdown	Voltage below 9.0 Volts for 10 seconds or more will cause siren output to cease and will resume when system voltage is above 9.0 Volts
Operating Temperature / Humidity	-15° F to +110°F temperature, 5-95% Non-condensing humidity
Controls	position rotary switch (Tone, Yelp, Wail, Standby, OFF) Momentary push-button Horn switch Momentary push-button Manual switch
Auxiliary Input connection for remote manual or Hands Free operation	
Tone disable for California Title 13 compliance	
Size Amplifier	2-12" High, 7" Wide, 7" Deep (plus 3/4" flange on each side)
Boxed Weight	8 lbs

## WARRANTY

SoundOff Signal warrants the ETSA380MF Sirens for three (3) year from the date of purchase to the original purchaser against any manufacturing defects or workmanship. This warranty is a 100% replacement value warranty. It applies only to units installed according to manufacturer's installation instructions and operated within the units specifications. Warranty is void if the unit was installed incorrectly or maliciously damaged. All warranty claims must be accompanied by a dated proof of purchase.

SoundOff Signal retains the right to be the sole mediator of what constitutes defects in performance or manufacturing.