

UltraLITE

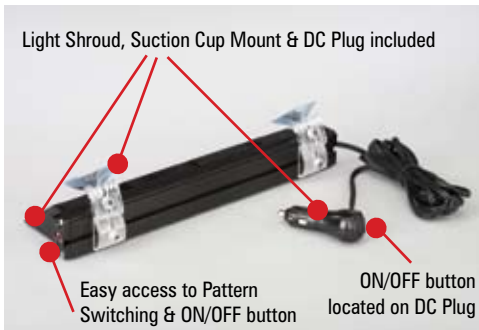


4 Module Windshield Light Shown.

UltraLite Windshield Lights*

4 Module: EL3H04A0+(x)

8 Module: EL3Z08A000(x)



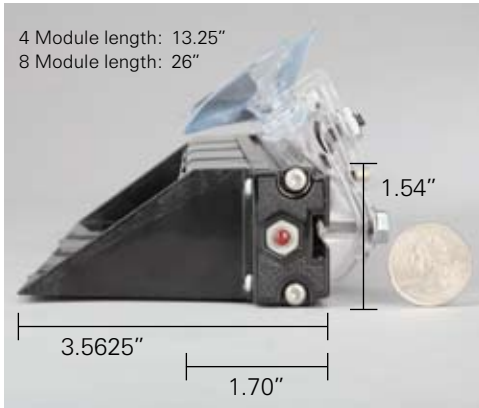
Features

- We have taken our powerful little LED3 Mini Light and made it into a versatile line of interior directional/warning bars & windshield lights.
- Available as Windshield Lights w/ Shroud & Cigar Plug or as a Directional/Warning Bars (see UltraLite Directional/Warning Bars product flyer for more information). The windshield light model is available in 4 or 8 module lengths.
- Features many built-in Flash Patterns with new flash pattern offerings including the new LiteRyder Flash Pattern, a "sweeping" flash pattern in fast or slow modes.

8 Module Bar Options (length is 26"): (1) 8 Module Arrow Bar w/ 20 Arrow Patterns & 2 Arrow Warning Patterns, (3) 8 Module Warning Bar w/ 15 Warning Patterns.

4 Module Bar (length is 13.25"): 20 Warning Patterns.

- Each LED3 module is comprised of 3 bright & reliable Gen3 LEDs.
- Bars can be mounted in the front or rear windshields.
- Includes Cigar Plug w/ 11.5' cord, Light Shroud & Suction Cups for an easy & fast installation.
- Available Colors - Solid Colors: A=Amber, B=Blue, R=Red, W=White. Split Colors: D=Red/White, F=Blue/White, J=Red/Blue, K=Red/Amber & M=Blue/Amber (replace "(x)" in part number with desired color code).



4 Module Split Color Windshield light shown in Red & Blue, EL3H04A0+J.

UltraLite™

4 & 8 Module Windshield Lights



1.800.338.7337 / www.soundoffsignal.com