

WHELEN[®]

ENGINEERING COMPANY INC.

Route 145, Winthrop Road,
Chester, Connecticut 06412
Phone: (860) 526-9504
Fax: (860) 526-4078
Internet: www.whelen.com
Sales e-mail: autosale@whelen.com
Canadian Sales e-mail: autocan@whelen.com
Customer Service e-mail: custserv@whelen.com

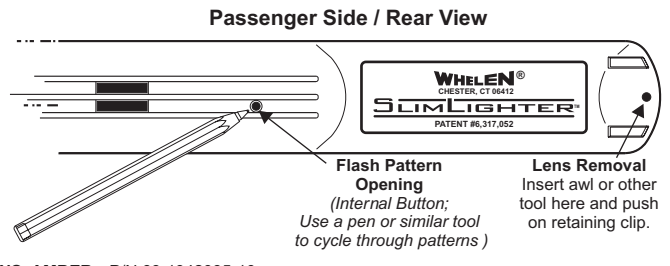
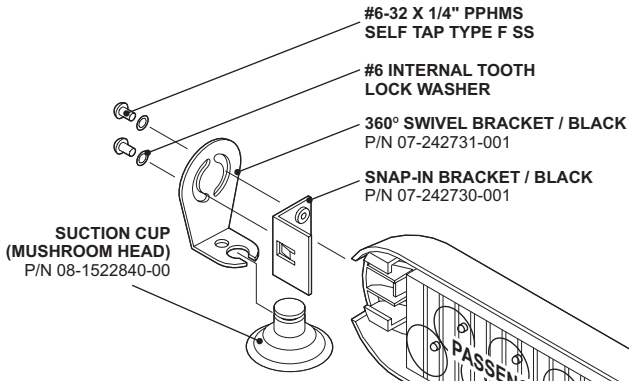
Installation Guide TIR Slimlighter Model SLPMM** Model SLPMM**P

Safety First

This document provides all the necessary information to allow your Whelen product to be properly and safely installed. Before beginning the installation and/or operation of your new product, the installation technician and operator must read this manual completely. Important information is contained herein that could prevent serious injury or damage.

- **Proper installation of this product requires the installer to have a good understanding of automotive electronics, systems and procedures.**
- **If mounting this product requires drilling holes, the installer MUST be sure that no vehicle components or other vital parts could be damaged by the drilling process. Check both sides of the mounting surface before drilling begins. Also de-burr the holes and remove any metal shards or remnants. Install grommets into all wire passage holes.**
- **If this manual states that this product may be mounted with suction cups, magnets, tape or Velcro™, clean the mounting surface with a 50/50 mix of isopropyl alcohol and water and dry thoroughly.**
- **Do not install this product or route any wires in the deployment area of your air bag. Equipment mounted or located in the air bag deployment area will damage or reduce the effectiveness of the air bag, or become a projectile that could cause serious personal injury or death. Refer to your vehicle owners manual for the air bag deployment area. The User/Installer assumes full responsibility to determine proper mounting location, based on providing ultimate safety to all passengers inside the vehicle.**
- **For this product to operate at optimum efficiency, a good electrical connection to chassis ground must be made. The recommended procedure requires the product ground wire to be connected directly to the NEGATIVE (-) battery post (this does not include products that use cigar power cords).**
- **If this product uses a remote device for activation or control, make sure that this device is located in an area that allows both the vehicle and the device to be operated safely in any driving condition.**
- **Do not attempt to activate or control this device in a hazardous driving situation.**
- **This product contains either strobe light(s), halogen light(s), high-intensity LEDs or a combination of these lights. Do not stare directly into these lights. Momentary blindness and/or eye damage could result.**
- **Use only soap and water to clean the outer lens. Use of other chemicals could result in premature lens cracking (crazing) and discoloration. Lenses in this condition have significantly reduced effectiveness and should be replaced immediately. Inspect and operate this product regularly to confirm its proper operation and mounting condition. Do not use a pressure washer to clean this product.**
- **It is recommended that these instructions be stored in a safe place and referred to when performing maintenance and/or reinstallation of this product.**
- **FAILURE TO FOLLOW THESE SAFETY PRECAUTIONS AND INSTRUCTIONS COULD RESULT IN DAMAGE TO THE PRODUCT OR VEHICLE AND/OR SERIOUS INJURY TO YOU AND YOUR PASSENGERS!**

For warranty information regarding this product, visit www.whelen.com/warranty



- LENS, AMBER P/N 68-1942935-10
- LENS, BLUE P/N 68-1942935-20
- LENS, CLEAR P/N 68-1942935-30
- LENS, RED P/N 68-1942935-50

All customer supplied wires that connect to the positive (+) terminal of the battery must be sized to supply at least 125% of the maximum operating current and fused at the battery to carry that load.

TO CYCLE FORWARD THROUGH FLASH PATTERNS:
Press the pattern button for less than 1 second and release. Repeat to go to the next pattern.

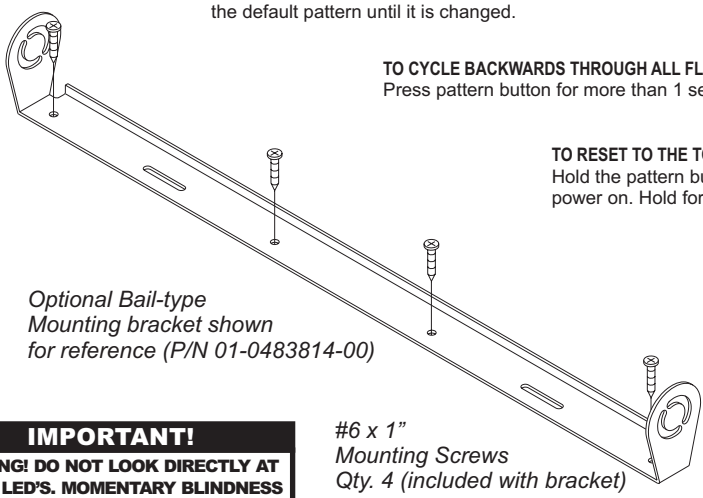
TO CHOOSE A FLASH PATTERN:
While cycling through the patterns, allow a pattern to run for more than five seconds, this will become the default pattern until it is changed.

TO CYCLE BACKWARDS THROUGH ALL FLASH PATTERNS:
Press pattern button for more than 1 second and release.

TO RESET TO THE TOP OF THE PATTERN LIST:
Hold the pattern button down and turn the Slimlighter power on. Hold for more than 3 seconds and release.

- NOTE! (Model SLPMM**P Only)**
- Cut cigar plug adaptor off power cord
 - Extend SMOOTH wire to switched +12VDC and fuse @ 3 Amps
 - Extend RIBBED wire to GROUND

CIGAR PLUG ASS'Y
(Internal 8 Amp Fuse & Rear On/Off Switch)



Optional Bail-type Mounting bracket shown for reference (P/N 01-0483814-00)

IMPORTANT!
WARNING! DO NOT LOOK DIRECTLY AT THESE LED'S. MOMENTARY BLINDNESS AND/OR EYE DAMAGE COULD RESULT!

#6 x 1" Mounting Screws Qty. 4 (included with bracket)

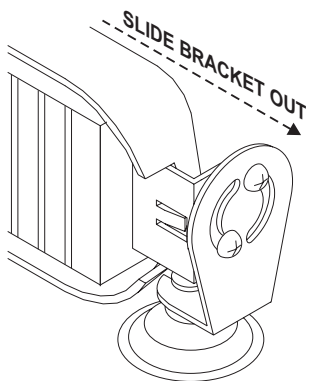
CAUTION: This product has been designed to rest on top of the vehicle's dashboard. Suction cups are used to prevent lateral movement while the vehicle is in motion. These suction cups should not be used to suspend this product above the dashboard.

NOTE: The swivel mounting bracket can also be attached with the suction cup on the outside as shown here. For a permanent mount, use sheet metal screws (not included) in place of the suction cups. Make sure there is nothing that will be damaged on the opposite side of the mounting area.

Available Flash Patterns

RAPIDFIRE™ 680	680 Single Flashes Per Minute (SFFM)
RAPIDFIRE™ 240	240 SFFM
RAPIDFIRE™ 120	120 SFFM
SIMULTANEOUS RAPIDFIRE™ 150	150 SFFM
DOUBLE FLASH 240	240 Double Flashes Per Minute (DFPM)
DOUBLE FLASH 120	120 DFPM
SIMULTANEOUS DOUBLE FLASH 150	150 DFPM
COMET FLASH®	120 Comet Flashes Per Minute (CFPM)
SIMULTANEOUS COMET FLASH®	120 CFPM
ACTION FLASH™	2 Alternating 120 CFPM, 4 Alternating 240 SFFM
SIMULTANEOUS ACTION FLASH™	2 Alt. 120 CFPM, 4 Simul. 240 SFFM
MODU FLASH™	120 to 360 SFFM
SIMULTANEOUS MODU FLASH™	120 to 360 SFFM
SIGNAL ALERT™ 120	120 Flashes Per Minute (FPM)
SIMULTANEOUS SIGNAL ALERT™ 120	120 FPM
SCAN FLASH	2 Cycles of Every Pattern
CalFlash	340 SFFM
CALIF. STEADY w/RAPIDFIRE™ 240	240 DFPM
CALIF. STEADY w/CalFlash	340 SFFM
CALIF. COMET FLASH	120 CFPM
CALIF. ACTION FLASH	2 Alternating 120 CFPM, 4 Alternating 240 SFFM

LENS REMOVAL: It is easier to perform this operation with the light laying face down on a table. Take an awl, (or any suitable tool) insert it into the hole in the back of the light and carefully push on the back of the retaining clip, (while at the same time pulling out on the swivel mounting bracket) until the clip clears the light housing and you can slide the bracket out and remove it. With the bracket out, both the inner and outer lens' may be removed for replacement.



NOTE: If you replace the lens on the side of the power cord, make sure the cord is in its wire channel before re-attaching the suction cup assembly.