

Super-LED® SURFACE MOUNT LIGHTHEADS

Versatility, small-size and “heads up” performance make these lightheads the perfect solution to work for you in dozens of applications! Each model is surface mounted with optional mounting adapters. Designed with SmartLED® features which do not require an external flasher, they’re easy to install all over your vehicle. They draw minimal current and provide heavy-duty, vibration, moisture and corrosion resistance. Whelen Super-LED lightheads are rated for 100,000 hours of operation and backed by Whelen’s Five Year HDP® Heavy-Duty Professional Warranty.

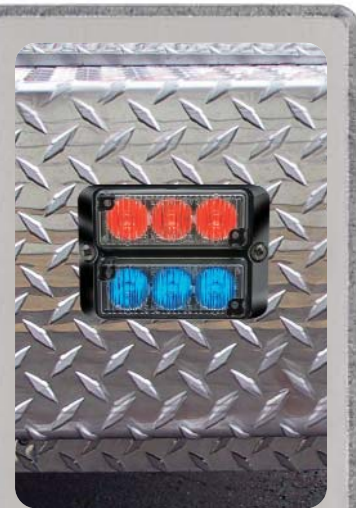
These are synchronizable products allowing multiple lightheads and power supplies to be flashed in a synchronized pattern as a system without the need for a centralized electronic module. Simply hook the synchronize wires together to create your customized system.

Providing the finest certified lighting for our customers is a priority at Whelen Engineering. Our sales and customer service representatives will be happy to provide you with the current certification of any lighthead and supply the proper documentation if needed.



WHELEN®
www.whelen.com

Form# TIRS0607



4" ROUND SERIES TIR6™ Super-LED®

Versatile, heavy-duty 4" round Super-LED lighthouse in surface mount with an adapter for 4-1/2" (PAR36) applications. TIR6 Super-LED models require optional mounting adapter for surface mount applications.

Available in flat or extended lens with five Scan-Lock™ patterns including Phase 1 and Phase 2 for alternating and simultaneous flashing for up to eight lighthouses, with steady-burn mode and synchronize wire. Extended lens provides a wide angle light dispersion pattern than the flat lens. Offered in four safety colors: red, blue, amber or white.

MODELS

2F*00Z*R: Flat lens

2E*00Z*R: Extended lens

OPTIONS

2FLANGEB: Black surface mount trim ring kit for LED models.

2FLANGEC: Chrome surface mount trim ring kit for LED models.



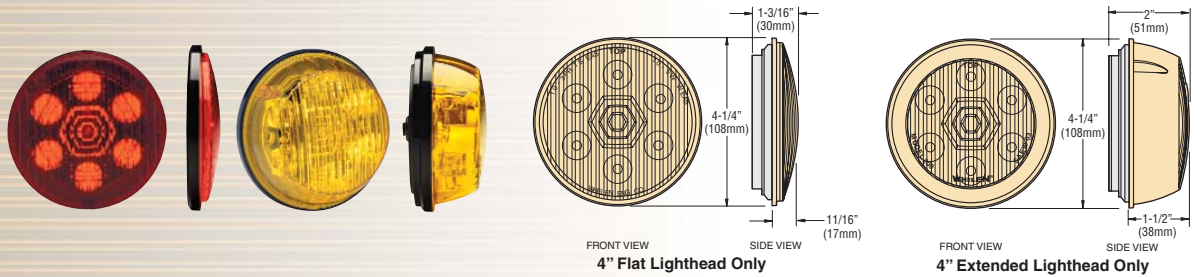
WHELEN®

"ENGINEERS FOR THE EMERGENCY WARNING INDUSTRY"

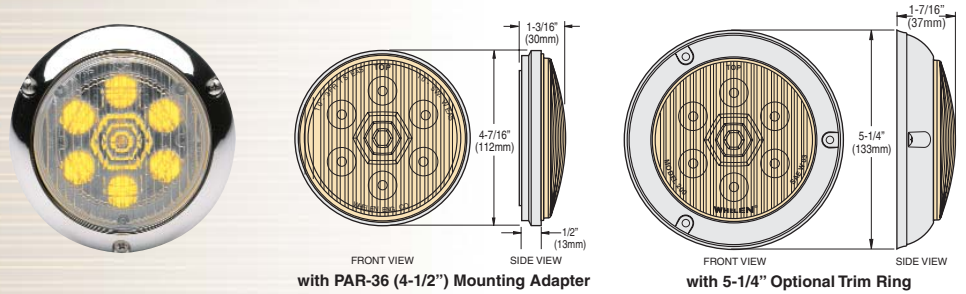
Replace symbol * in model with letter indicating LED color and outer lens color:
A=Amber, B=Blue, C=White or R=Red

4" Round SERIES TIR6™ Super-LED®

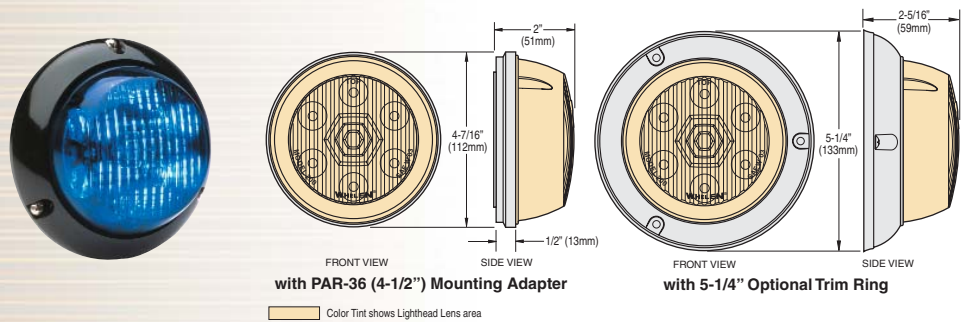
4" ROUND LIGHTHEADS



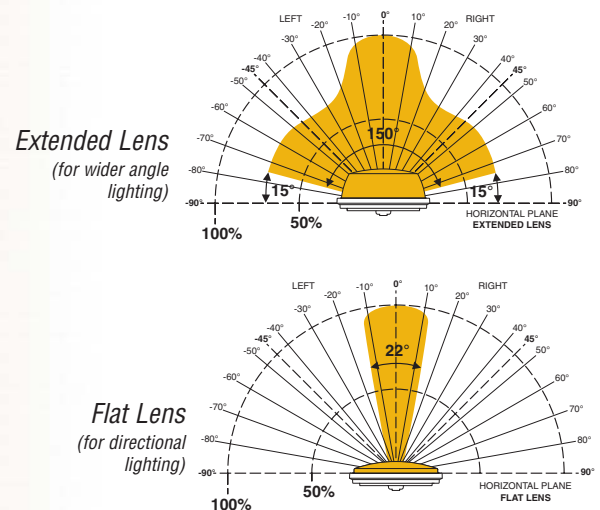
FLAT LENS WITH 2FLANGEC



EXTENDED LENS WITH 2FLANGEB



4" ROUND LIGHT DISPERSION COMPARISON CHART



500 SERIES

The 500 Series surface mount models feature epoxy encapsulated electronics for vibration and moisture free performance. Excellent visibility, high intensity, and wide angle of lighting rivals strobe with only 30% of the amp draw at 12 VDC. With Whelen's SmartLED® design, split color lightheads can alternately or simultaneously flash each color segment (3 x 3), in any of the built-in twenty Scan-Lock™ flash patterns (five patterns each with four phases). The single color modules offer ten Scan-Lock flash patterns and steady-burn (five patterns with Phase 1 and Phase 2). The "synch" interconnect wire allows up to eight lightheads to be synchronized together. An integral 6" wire lead with AMP Mate-N-Lok® connector is standard. Available in single color with color outer lens or the new split colors with clear outer lenses. Split colors in any combination of amber, blue, red or white. Horizontal or vertical surface mounting options available in a wide range of choices for added versatility.

TIR6™ Super-LED®

The 500 Series TIR6 Super-LED lighthead features two versions: a six Super-LED panel and a split six Super-LED panel consisting of two sides with three Super-LEDs. Sides can be the same or two different colors (split). When these lightheads are combined with the TIR matching color or clear outer lens. It enhances the maximum light output for peak color dispersion.

MODELS

- 50*03Z*R: Solid color, horizontal mount
- 50**3ZCR: Split colors, horizontal mount

OPTIONS

- 5TSMAB: Black surface mount adapter.
- 5TSMAC: Chrome plated surface mount adapter.
- 5BKT1: Universal mounting bracket.
- 5BRUSH: Aluminum brush guard with surface mount adapter.

LIN6™ Super-LED®

The 500 Series LIN6 Super-LED lightheads are designed for wide angle light dispersion. Solid and split color LIN6 Super-LEDs provide super bright illumination through an optic outer lens for horizontal or vertical mounting orientation.

MODELS

- 50*02Z*R: Solid color, color lens, horizontal mounting
- 50**2ZCR: Split colors, clear lens, horizontal mounting
- 5V*02Z*R: Solid color, color lens, vertical mounting
- 5V**2ZCR: Split colors, clear lens, vertical mounting

OPTIONS

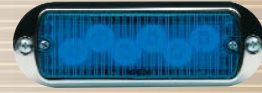
- 5LSMAB: Black surface mount adapter.
- 5LSMAC: Chrome plated surface mount.

Replace symbol * in model with letter indicating LED color and outer lens color:

A=Amber, B=Blue, R=Red or C=White



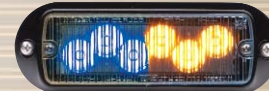
50A03ZAR requires optional surface mount flange



50B03ZBR with optional 5TSMAC



50R03ZRR with optional 5TSMAC



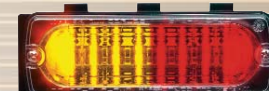
50BA3ZCR, optional split color & 5TSMAB



50AR3ZCR with optional 5TSMAB



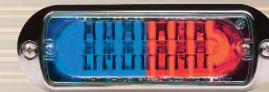
50A03ZAR with optional 5TSMAB



50AR2ZCR Split Super-LED requires optional surface mount flange



50A02ZAR with optional 5LSMAB



50B02ZBR with optional 5LSMAC



50R02ZRR with optional 5LSMAC



5VA02ZAR with optional 5LSMAB



5VBR2ZCR



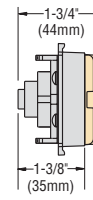
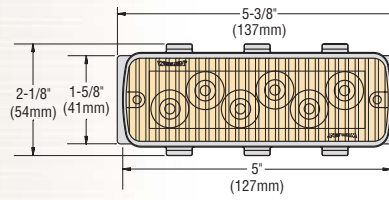
500 SERIES TIR6™ & LIN6™ Super-LED®

DIMENSIONS & MOUNTING

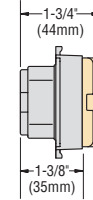
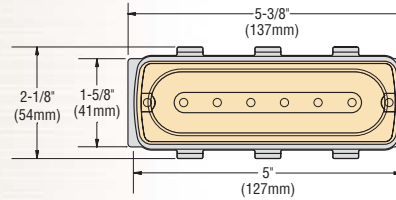
TIR6™ / LIN6™ LIGHTHEADS



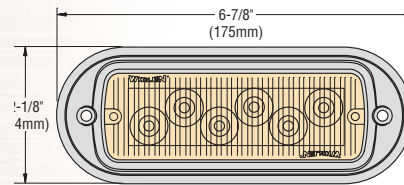
TIR6 requires optional surface mount flange



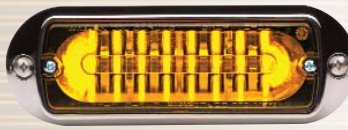
LIN6 requires optional surface mount flange



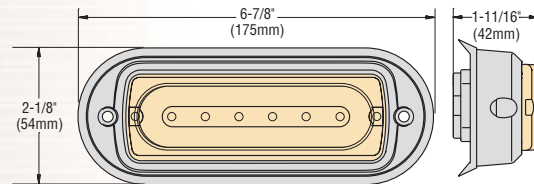
TIR6 with optional 5TSMAB



5TSMAB



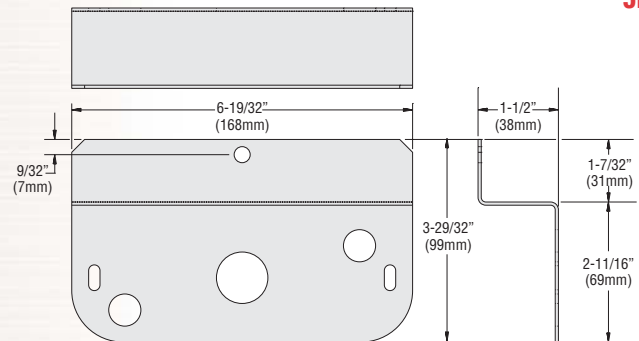
LIN6 with optional 5LSMAB



5LSMAB



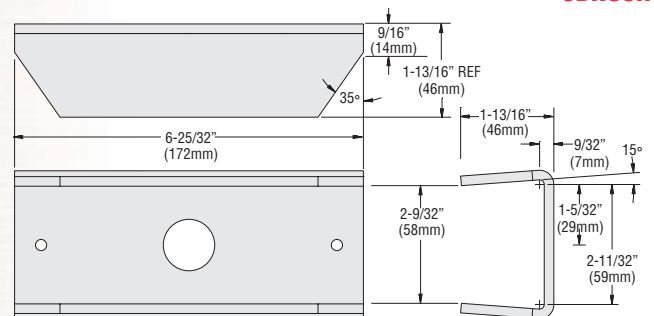
TIR6 with optional 5BKT1 and 5TSMAC



5BKT1



TIR6 with optional 5BRUSH



5BRUSH

TIR3™ Super-LED®

The TIR3 Series is one of two types of 3-LED surface mount lighthead with color Super-LEDs and clear outer lens that Whelen offers for bright, versatile warning light solutions.

The TIR3 controls lightspread with a clear fluted lens and is for directional lighting applications. Designed to fit in almost any location, it's small size and mounting options make it perfect for mounting anywhere on your vehicle.

Five Scan-Lock™ flash patterns, are available each with Phase 1 or Phase 2 (simultaneous or alternating flashing), and includes a steady-burn mode and synchronize wire. The Sync feature allows multiple lighthead to operate in unison, as a system.

A new, deeper, black ABS flange is now standard and several mounting bracket and kit options are available. The TIR3s are offered in four safety colors: red, blue, amber or white.

MODELS

RS*03ZCR: TIR3 horizontal mount

RV*03ZCR: TIR3 vertical mount

OPTIONS

RBTK1: Mounting bracket for one 3-LED series lighthead.

RBTK2: Mounting bracket for two 3-LED series lighthead.

RBKT3: Crown Victoria trunk mount brackets for two 3-LED series lighthead, sold in pairs.

RFLANGEA: Cast aluminum mounting flange kit.

RFLANGCD: Deep chrome plated mounting flange kit (replaces RFLANGEC).

RFLANG2B: Black dual surface mount flange for two 3-LED series lighthead.

RFLANG2C: Chrome plated surface mount flange for two 3-LED series lighthead.



RVB03ZCR with optional RFLANGCD chrome flange



RSA03ZCR with standard black ABS flange



RSR03ZCR with optional RFLANG2C



RSR03ZCR/RSB03ZCR with optional RFLANG2B



RSB03ZCR with optional RFLANG2C

LIN3™ Super-LED®

The LIN3 Series is Whelen's other 3-LED color Super-LEDs and clear outer lens surface mount lighthead. The LIN3 has the same description, dimensions and options as the TIR3 Series, but has a clear non-fluted lens with collimator, for wider 180 degree light spread for greater visibility and light dispersion. The LIN3 has horizontal mounting only.

MODEL

RS*02ZCR: LIN3 horizontal mount



RSR02ZCR with new deeper standard mount



Replace symbol * in model with letter indicating LED color and outer lens color:

A=Amber, **B**=Blue, **C**=White or **R**=Red

For Harley-Davidson® motorcycle mounting brackets, consult current price list.

Dominator™ Series TIR3™ Super-LED® Dash & Deck Surface Mounts

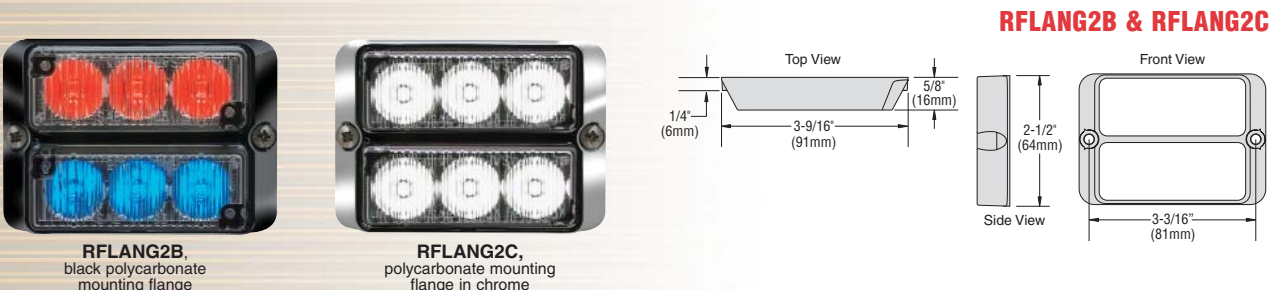
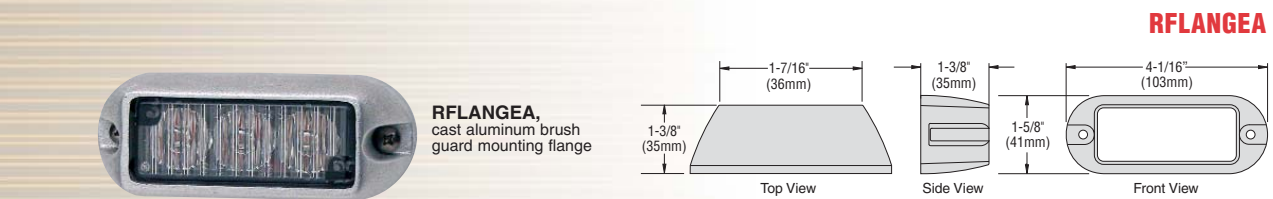
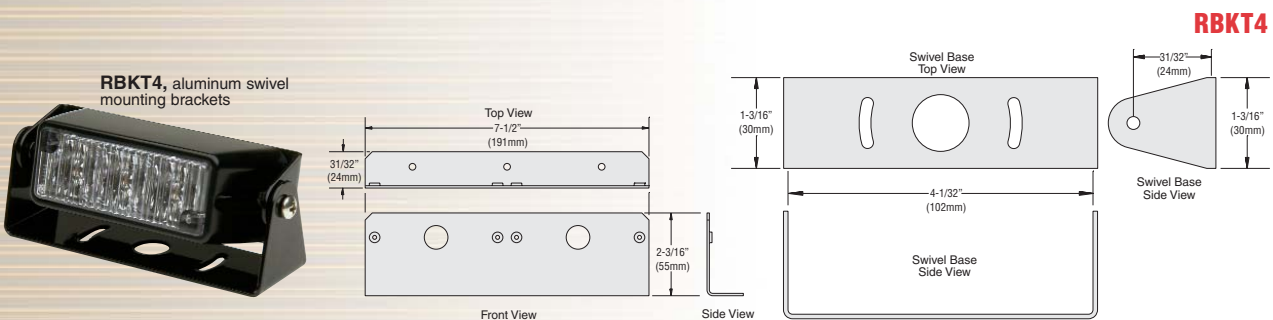
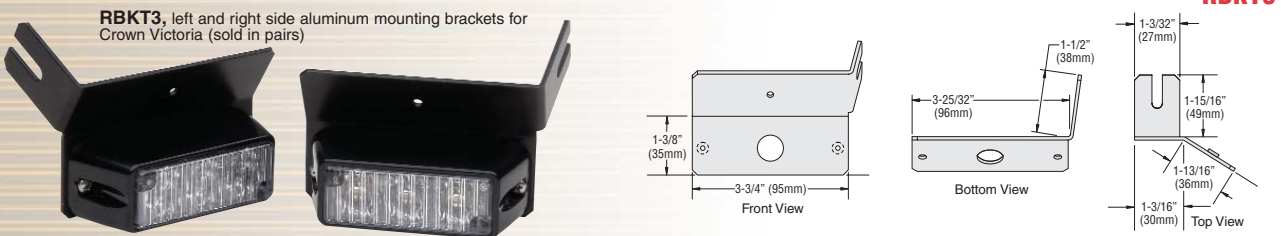
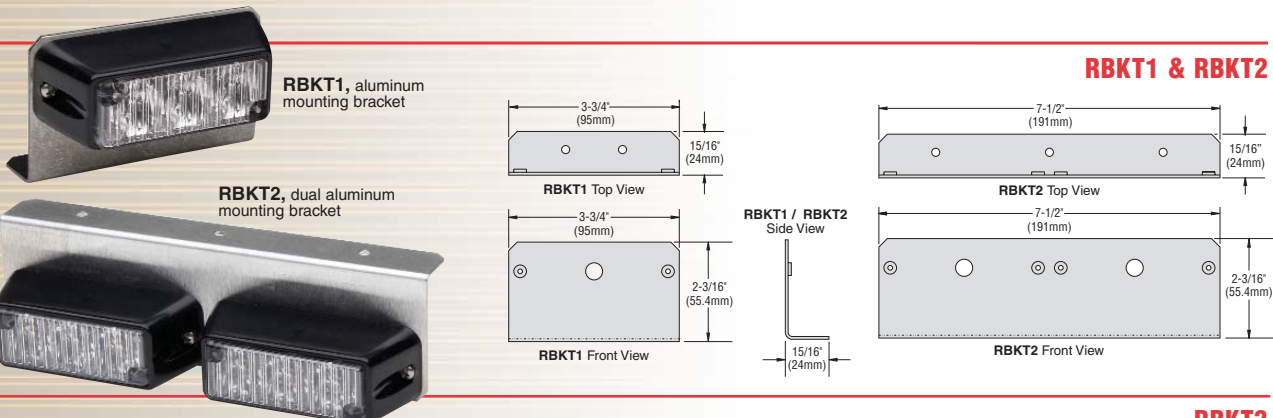
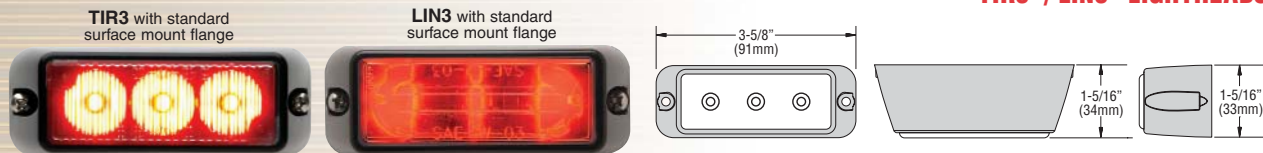
See Whelen's Full Line Catalog or Product Bulletins for more information.



TIR3™ & LIN3™ Super-LED®

DIMENSIONS & MOUNTING

TIR3™ / LIN3™ LIGHTHEADS



SURFACE MOUNT LIGHTHEAD Super-LED[®]

SPECIFICATIONS



Electrical

390mA @ 13.6 VDC 3 LED Models
 780mA @ 13.6 VDC 6 LED Models

Flash Patterns

Scan-Lock™ - TIR lightheads have a special set of flash patterns, with each pattern available in two modes; Phase 1 and Phase 2. The patterns are changed with the WHT/VIO wire. All lightheads configured to display the Phase 1 mode of a given pattern will flash simultaneously. Any lightheads configured to display the Phase 2 mode of a pattern, will alternate with any Phase 1 lightheads with the same pattern.

Sync - Two lightheads (or more) can be synchronized, (configure both lightheads to display the same Phase 1 or Phase 2 pattern in the same simultaneous or alternating mode).



For more information on Lightheads and Whelen's full line of products, visit us on the web at:

www.whelen.com

Twenty-five Flash Patterns for: 4" Round, TIR6 & LIN6 Single (not split), TIR3 & LIN3

Pattern	Phase Set
SignalAlert™ 75	1
SignalAlert 75	2
CometFlash® 75	1
CometFlash 75	2
DoubleFlash™ 75	1
DoubleFlash 75	2
SingleFlash 75	1
SingleFlash 75	2
ComAlert™ 75	1
ComAlert 75	2
LongBurst™ 75	1
LongBurst 75	2
PingPong™ 75	1
PingPong 75	2
SingleFlash 60	n/a
SingleFlash 90	n/a
SingleFlash 120	n/a
SingleFlash 300	n/a
DoubleFlash 150	n/a
ComAlert™ 150	n/a
ActionFlash™ 1	n/a
ActionFlash 2	n/a
ModuFlash™	n/a
ActionScan™	n/a
Steady	n/a

Other Surface Mount Lighthead Super-LEDs

400 Series

600 Series

700 Series

900 Series



600 Series Housings



Route 145, Winthrop Road
 Chester, Connecticut 06412-0684
 (860) 526-9504 • Fax: (860) 526-4078
www.whelen.com

 Whelen Engineering reserves the right to upgrade and improve products **MADE IN THE U.S.A.** without notice.

© 2007 Whelen Engineering Company, Inc.
 Printed in the U.S.A. Form No.11767E-0607
 NASCAR® is a registered trademark of the National Association for Stock Car Auto Racing, Inc.